

Dynamic Hand-held Microphone



Hand-held Microphone with 3 push buttons
Matt silver or matt black

Available with following matched frequency characteristics:

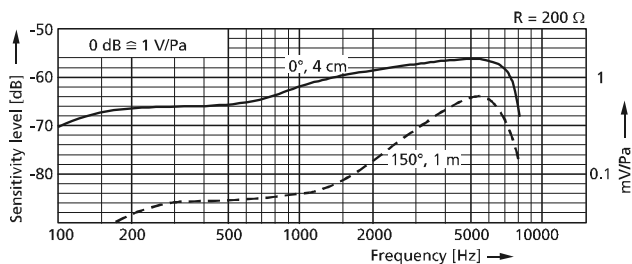
- A: For use in proximity (approx. 5 cm) - e.g. as talk-back microphone**
- B: For wide-band transmission at mean speech distance (approx. 30 cm) - e.g. for PA systems**
- C: For excellent intelligibility by special high-frequency emphasis - especially for radio communication**

Technical specification

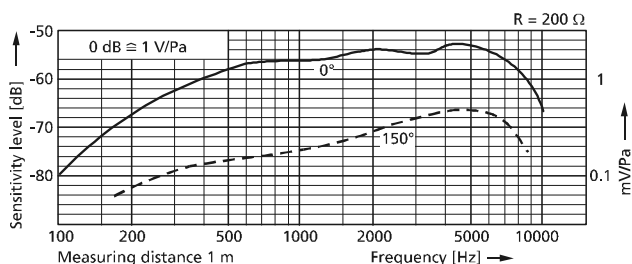
Housing	stable metal housing	
Colour	matt silver or matt black	
Dimensions	diameter: head 32 mm, shaft 25 mm, length 173 mm	
Weight.....	approx. 160 g without, approx. 210 g with cable	
Terminals.....	7-core coiled PUR-cable, 2 cores separately screened, length 45 cm, expanded 1.5 m, ends tinned	
Push buttons.....	1 press-to-talk key per push button	
Degree of protection.....	IP 40	<i>acc. to DIN EN 60529</i>
Temperature range	operation:.....-30 °C up to +60 °C	<i>Nb acc. to DIN EN 60068-2-14</i>
	storage:.....-40 °C up to +80 °C	<i>Nb acc. to DIN EN 60068-2-14</i>
Acceptable relative humidity	≤ 93 %	<i>Db acc. to DIN EN 60068-2-30</i>

Electroacoustic specification

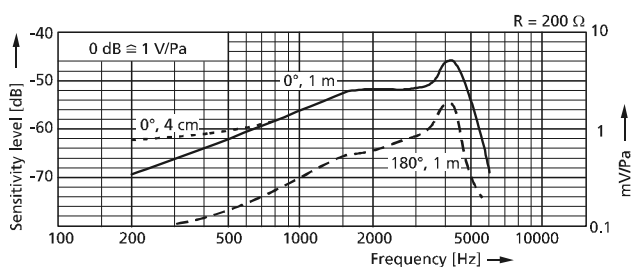
Directional characteristic.....	cardioid	
DC resistance	version A and B: 50, 200 or 600 Ω	
	version C: 200 or 300 Ω	
Free-field no-load sensitivity	version A: 0.7 mV/Pa	<i>[(-63 ± 3) dB, rel. 1 V/Pa], R = 200 Ω, f = 1 kHz</i>
	version B and C: 1.6 mV/Pa	<i>[(-56 ± 3) dB, rel. 1 V/Pa], R = 200 Ω, f = 1 kHz</i>



Version A

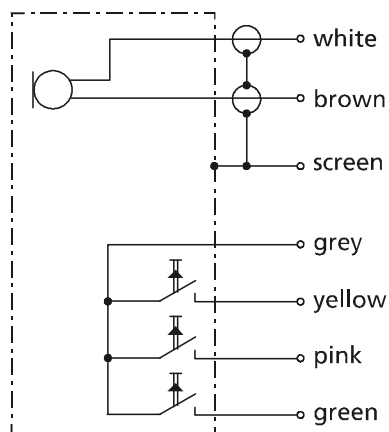


Version B



Version C

Connecting diagram



Included in delivery

Dynamic Hand-held Microphone, microphone holder 33-02-00005

Order details			
Frequency response	Colour	DC resistance	Part No.
A	silver	200 Ω	84-03-09042
<p>Special models</p> <ul style="list-style-type: none"> • with frequency response B or C • with fitted amplifier • push buttons with 1 change-over contact key • one push button with 2 change-over contacts • with mounted plug • with 10-core cable 			

Accessories

Microphone holder Part No. 33-02-00005