

Dynamic Hand-held Microphone



Hand-held Microphone with one push button
Matt silver or matt black

Available with following matched frequency characteristics:

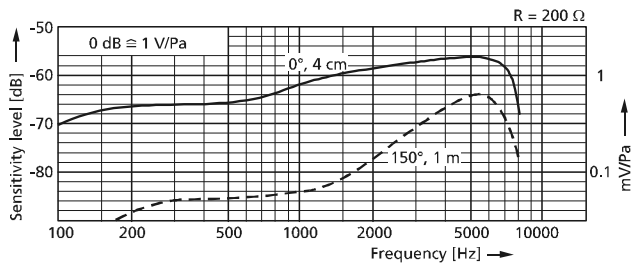
- A: For use in proximity (approx. 5 cm) - e.g. as talk-back microphone**
- B: For wide-band transmission at mean speech distance (approx. 30 cm) - e.g. for PA systems**
- C: For excellent intelligibility by special high-frequency emphasis - especially for radio communication**

Technical specification

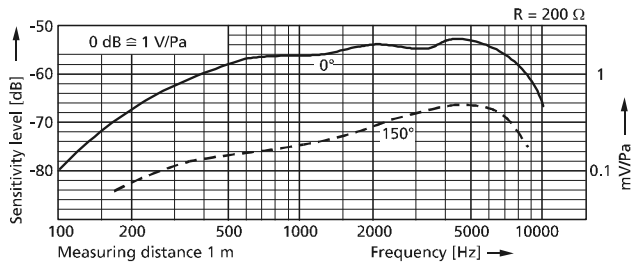
Housing	stable metal housing	
Colour	matt silver or matt black	
Dimensions	diameter: head 32 mm, shaft 25 mm, length 173 mm	
Weight.....	approx. 160 g without, approx. 210 g with cable	
Terminals.....	4-core coiled PUR-cord, 2 cores separately screened, length 45 cm, expanded 1.5 m, ends tinned	
Push button.....	1 press-to-talk key	
Degree of protection.....	IP 40	acc. to DIN EN 60529
Temperature range	operation:.....-30 °C up to +60 °C	Nb acc. to DIN EN 60068-2-14
	storage:.....-40 °C up to +80 °C	Nb acc. to DIN EN 60068-2-14
Acceptable relative humidity	≤ 93 %	Db acc. to DIN EN 60068-2-30

Electroacoustic specification

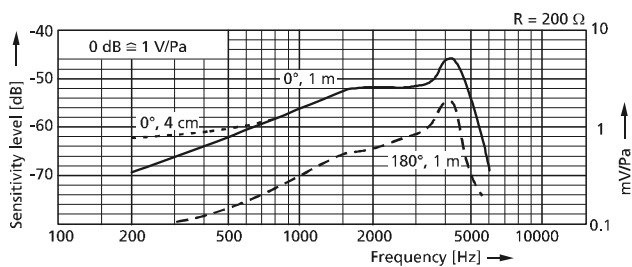
Directional characteristic.....	cardioid	
DC resistance	version A and B: 50, 200 or 600 Ω	
	version C: 200 or 300 Ω	
Free-field no-load sensitivity.....	version A: 0.7 mV/Pa	[(-63 ± 3) dB, rel. 1 V/Pa], R = 200 Ω, f = 1 kHz
	version B and C: 1.6 mV/Pa	[(-56 ± 3) dB, rel. 1 V/Pa], R = 200 Ω, f = 1 kHz



Version A

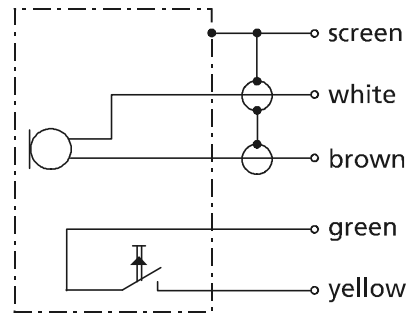


Version B



Version C

Connecting diagram



Included in delivery

Dynamic Hand-held Microphone, microphone holder 33-02-00005

Order details			
<i>Frequency response</i>	<i>Colour</i>	<i>Part No.</i>	<i>DC resistance</i>
A	silver	84-03-04910	200 Ω
	black	84-03-08430	on request
B	silver	84-03-04916	200 Ω
	black	84-03-08429	on request
C	silver	84-03-04889	200 Ω

Special models

- with fitted amplifier
- with 2 change-over contacts
- with mounted plug
- with 7-core cable

Accessories

Microphone holder **Part No.** 33-02-00005