

Electret Microphone with Gooseneck

- With gooseneck $\varnothing 8 \times 245$
- Matt silver or matt black
- For control desks, table- and wallmounting as well as mounting into cars



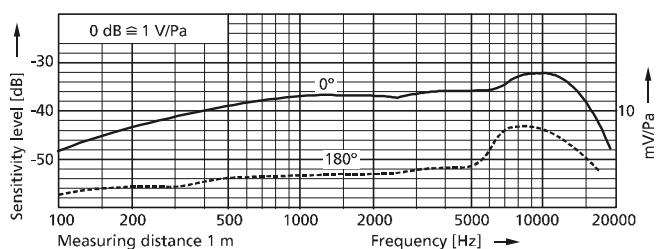
Technical specification

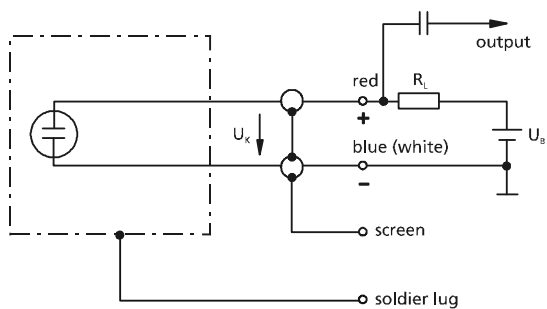
| | | |
|------------------------------------|---|---|
| Housing | stable metal housing | |
| Colour | matt silver or matt black | |
| Dimensions | microphone: diameter 18.5 mm, length 46.5 mm, length with gooseneck approx. 260 mm | |
| Weight | approx. 90 g with gooseneck | |
| Terminals | PVC-cable, black, length approx. 50 cm, ends tinned | |
| Degree of protection | IP 40 | <i>acc. to DIN EN 60529</i> |
| Temperature range | operation: | -20 °C up to +60 °C |
| | storage: | -20 °C up to +60 °C |
| Acceptable relative humidity | ≤ 93 % | <i>Nb acc. to DIN EN 60068-2-14</i> <i>Nb acc. to DIN EN 60068-2-14</i> <i>Db acc. to DIN EN 60068-2-30</i> |

Electroacoustic specification

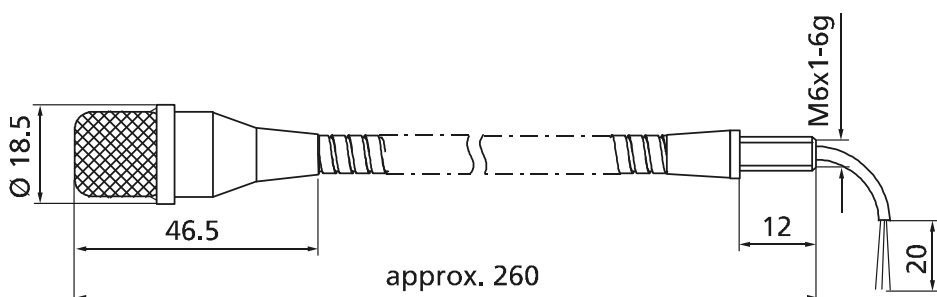
| | | |
|--|--------------------|---|
| Electroacoustic principle | electret | |
| Directional characteristic | cardioid | |
| Free-field nominal sensitivity | 15 mV/Pa | <i>[(-36.5 ± 3) dB, rel. 1 V/Pa, U_b = 6 V, R_L = 2.2 kΩ, f = 1 kHz</i> |
| Nominal output impedance | 2 kΩ up to 6 kΩ | <i>f = 1 kHz</i> |
| Acceptable terminal voltage U _k | 1.5 V up to 10 V | |
| Current drain | 0.15 up to 0.45 mA | |

Frequency response





Dimensions



Included in delivery

Electret Microphone with gooseneck, installation material (2 nuts M6x1, lock washer, soldier lug)

| Order details | |
|---|-----------------|
| Colour | Part No. |
| matt silver | 82-11-06162 |
| matt black | 82-11-06233 |
| Special models | |
| Gooseneck with other length (minimum 100 pcs) | |

Accessories

Windscreen, anthracite **Part No.** 27-20-80005